

TECHNICAL SPECIFICATIONS TRAFICAM 2ND GENERATION ALU

HARDWARE:

- In General:

- Camera & detector board integrated in compact, esthetical housing
- Material:
 - Housing:
 - Aluminum, with integrated rain/sun shield
 - Window in glass
 - Screw Connectors:
 - Power connector: 5-pins for power supply and RS-485
 - Output connector: 5-pins for detection outputs
 - Mounting Bracket: Aluminum tube; L = 25cm, Ø = 13mm
 - Mounting Piece:
 - U-profile, L = 18cm, glass fiber reinforced polyamide
 - Attached to mounting bracket
 - Retaining straps or bolts to be used for fixation
- Mass ≈ 880 g (excl. cables)
- Height x Width x Depth (max. dimensions, housing + mounting bracket):
 - Vertically mounted about 45 cm x 16 cm x 12 cm
 - Horizontally mounted about 41 cm x 18 cm x 12 cm
- Diameter: about 12 cm
- Temperature Range: from -34°C to +80°C

- Camera Details:

- Camera Type:
 - Technology: Black & White CMOS
 - Sensor Size: 1/4"
 - Resolution: 640x480 pixels (VGA)
 - Frame Rate: about 20FPS
- Lens Types:



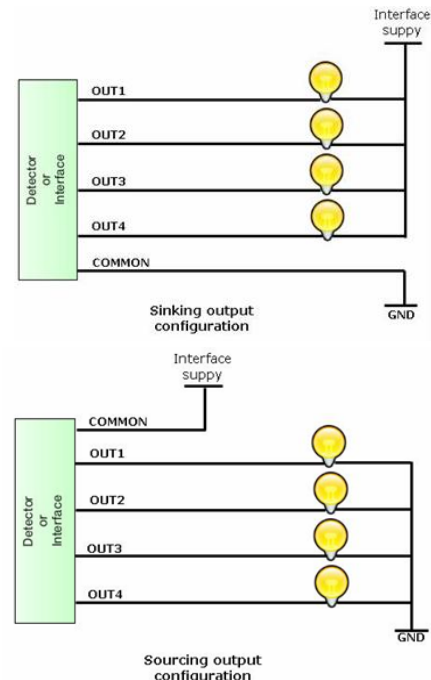
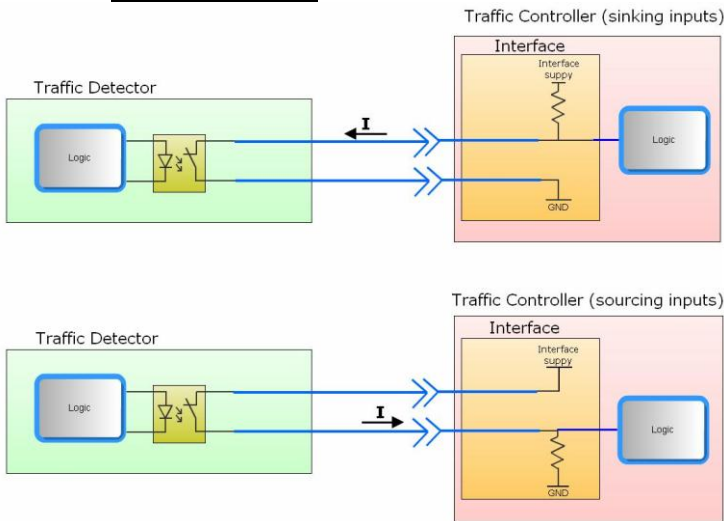
	Focal distance	Field of view	Detection distance
Wide angle (product reference n° 10-6090)	2,1 mm	Horizontal: 99° Vertical: 83° Corner to corner: 111°	0-20m
Narrow angle (product reference n° 10-6091)	6,0 mm	Horizontal: 32° Vertical: 24° Corner to corner: 39°	15-70m

- Power Supply, Outputs & Communications:

- Input Power: 12-24VDC ± 10%, 24VAC ± 10%
- Current Consumption: < 85mA @ 12VDC; < 50mA @ 24VDC
- Power Consumption: ≤ 1,2W
- RS-485 for configuring & viewing
- 4 Optical Coupled Dry Contacts: P_{max} = 300mW, I_{max} = 50mA, U_{max} = 48VDC

TrafiCam

Output Scheme:



REGULATORY ISSUES:

- **EMC:** Electromagnetic Compatibility - 2004/108/EG
- **FCC:** FCC Part 15 Class A
- **Shock & Vibration:** NEMA II specs
- **Materials Weatherproof (UV-resistant)**
- **Housing Waterproof to IP67**

PC SOFTWARE:

- TRAFICAM PC TOOL on portable PC for system configuration & viewing
- Via USB port of TI 10 wires, 1TI or 4TI ETH interface
- Detection zones: Max. 8 "Virtual Loops" per TrafiCam (can be made direction sensitive)
- Detection output assignment:
 - o Assign max. 4 outputs (TI 10 wires or 1TI) or max. 8 outputs (4TI ETH) per TrafiCam
 - o Assign 1 output to multiple zones (logical functions: and, or)
- Configuration & viewing via:
 - o Single JPEG image (snapshot)
 - o Refreshing JPEG images (limited streaming video):
 - Complete image (1-2FPS, not suited for detection monitoring)
 - One detection zone (higher frame rate, detection monitoring possible)

CONNECTION TRAFICAM - INTERFACE:

- **Recommended Type of Cable:** Shielded Twisted Pair (STP), UV resistant
- **Required Number of Wires per Cable:** minimum 5 wires
- **Required Number of Cables per TrafiCam:**
 - o When using the interface TI 10 wires: 2 cables (for power connector & output connector)
 - o When using the interface 1TI or 4TI ETH: 1 cable (for power connector only)
- **Minimum Wire Diameter:** 0,5mm (0,2mm², AWG24)
- **Minimum / Maximum Cable Diameter:** 4mm / 9mm (determined by cable gland screw connector)
- **Maximum Cable Length:** 300m (highly depends on cable quality and local conditions, i.e. local sources of interference. Note that there can be a significant voltage drop over long distances)
- **Note:** cable (product reference n° T2-CABLE5) is not standard included



YOUR CONTACT

Distributed by:

www.tacel.ca
info@tacel.ca



Head Office

179 Bartley Dr. Unit B
Toronto, ON M4A 1E6

Phone 416 750-4646
Toll Free 877 750-4646
Fax 416 750-4649

