

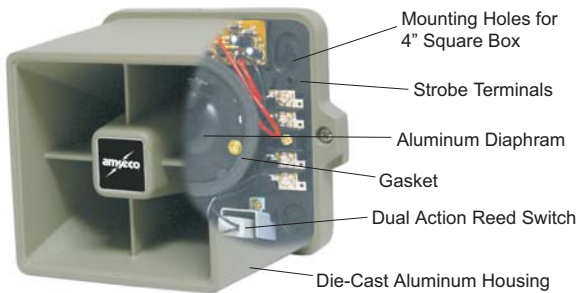
SHX-51/SHX-51S ARMORED SPEAKER/ SPEAKER STROBE



Patented

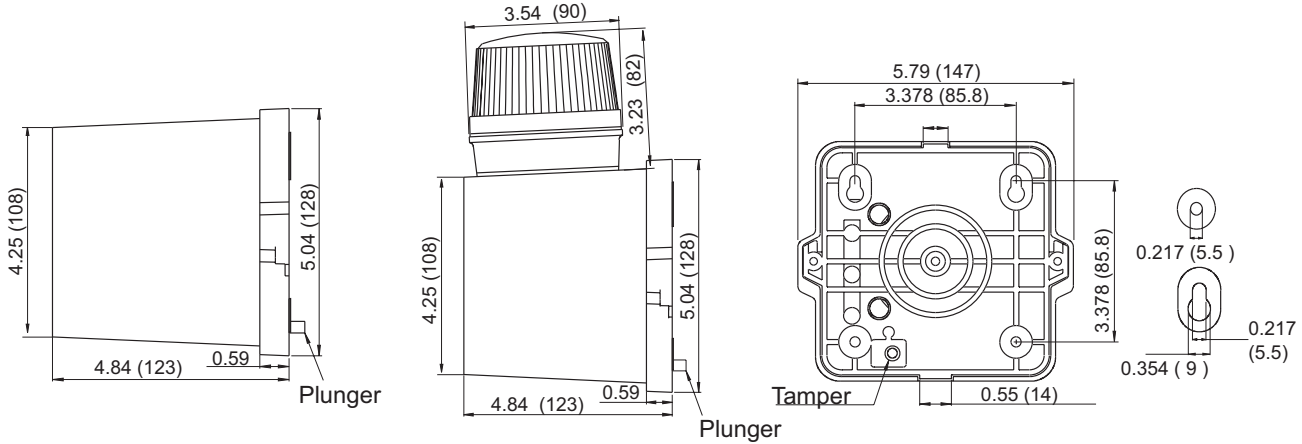
- Indoor/outdoor 15 watt armored siren
- Aluminum diaphragm
- Frequency response range: 500-5000Hz
- Rust-free aluminum die-cast housing
- Dual-action reed tamper switch
- Up-front screw terminals for easy field wiring
- Mounts directly to the wall or to 4" square back box
- 60,000 candle power strobe
- Available strobe lens colors: amber, blue, clear, red

The SHX-51 is a patented indoor/outdoor, self-contained, 8 ohm, 15 watt speaker. The full featured speaker consists of a light weight, rust proof, aluminum die-cast housing and dual-action plunger switch for tamper supervision for a normally closed loop. The armored siren does not require additional modules, metal boxes, tamper switches, special tools, or training to install and operate. The SHX-51 series comes completely assembled and ready for installation. It is ideally suited for noisy, heavy, machinery areas, warehouses, loading docks, print shops, and busy production floors, or for indoor/outdoor applications where high quality and high output warning is required. The SHX-51S Speaker/Strobe combination is also available. It consists of a 60,000 candle power strobe with available lens colors in amber, blue, clear, and red.

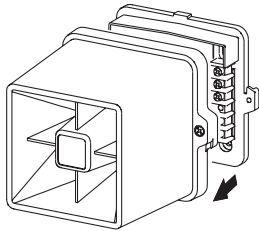


Model Number	Power Input	Tamper Contact Capacity	Strobe Specifications				Speaker Specifications			Operating Temperature Range
			Lens Color	Rated Voltage	Rated Current	Flash Rate	Sound Output	Impedance	Frequency Range	
SHX-51	15 watts	0.3A @ 12V DC	-	-	-	-	97dBA	8 Ohms	500-5000Hz	-4°F - 140°F -20°C - 60°C
SHX-51SA			Amber	12V DC	180 mA	60-100 times/min.				
SHX-51SB			Blue							
SHX-51SC			Clear							
SHX-51SR			Red							

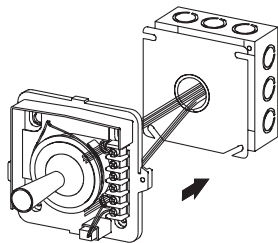
Dimensions: inches (mm)



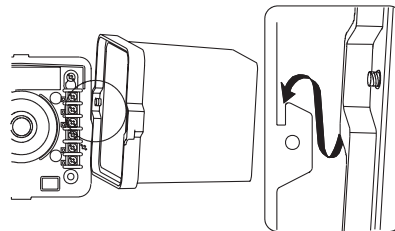
Installation



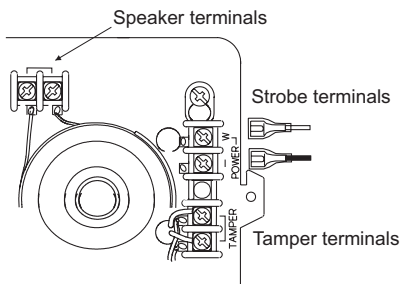
Step 1
Separate the housing from the back plate.



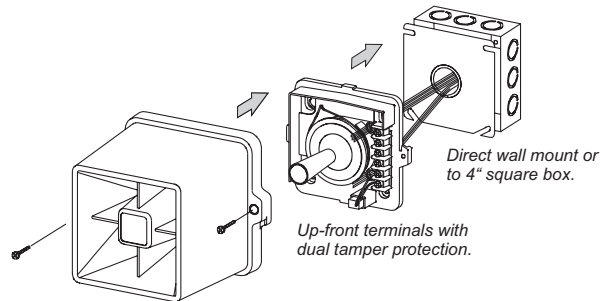
Step 2
Mount the back plate directly to the wall or to a 4" square box.



Step 3
Place the housing over the built-in hook to free your hands during wiring.



Step 4
Connect the speaker wires, strobe wires (SHX-51S only) and tamper wires (from some alarm panels) to their terminals as indicated above and re-install the cast iron housing.



Rust-free aluminum die-cast.

Distributed by:
www.tacel.ca
info@tacel.ca



Head Office
179 Bartley Dr. Unit B
Toronto, ON M4A 1E6
Phone 416 750-4646
Toll Free 877 750-4646
Fax 416 750-4649