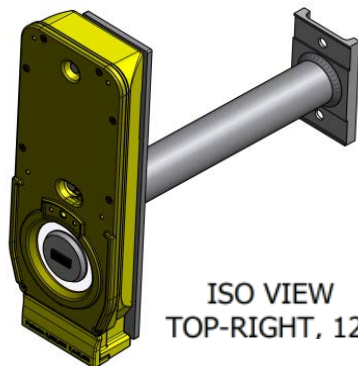


EZ523 – EZ Communicator Navigator Push Button Station (EPBS) Mounting Extender

The EZ Communicator Navigator Push Button Station (EPBS) Mounting Extender (Extender) is intended to mount a Polara EPBS 6" or 12" away from the traffic pole, in order to position the EPBS closer to the start of the crosswalk. EPBS wires are routed inside of the channel to protect them against vandalism. Extender can be bolted or banded to the traffic pole.

Body Material: Galvanized Steel



ISO VIEW
TOP-RIGHT, 12"

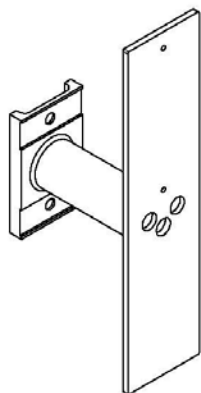
Distributed by:



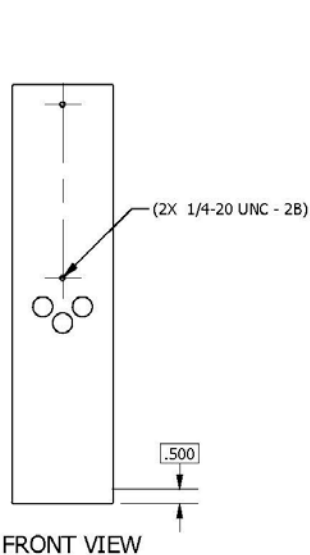
Head Office

179 Bartley Dr. Unit B
Toronto, ON M4A 1E6
Phone 416 750-4646
Toll Free 877 750-4646
Fax 416 750-4649

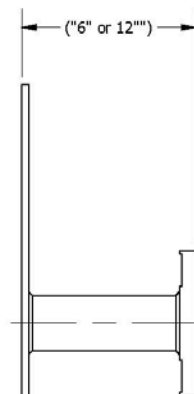
www.tacel.ca info@tacel.ca



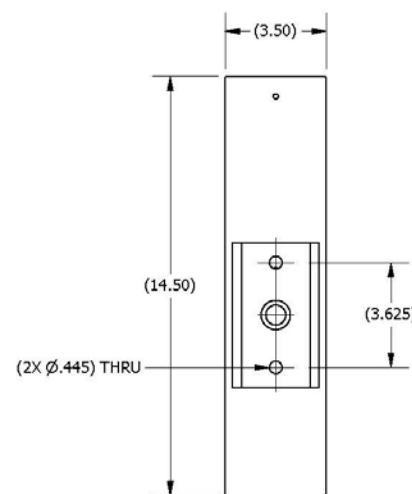
ORTHO VIEW



FRONT VIEW



SIDE VIEW
("6" Shown)



BACK VIEW

Product Ordering Information

EZ523-06	6" Extension
EZ523-12	12" Extension

Notes:

- 1) Applicable sections only of referenced standards.
- 2) All specifications subject to change without notice.

EZ523-06 and EZ523-12 models shown.
Dimensions are in inches