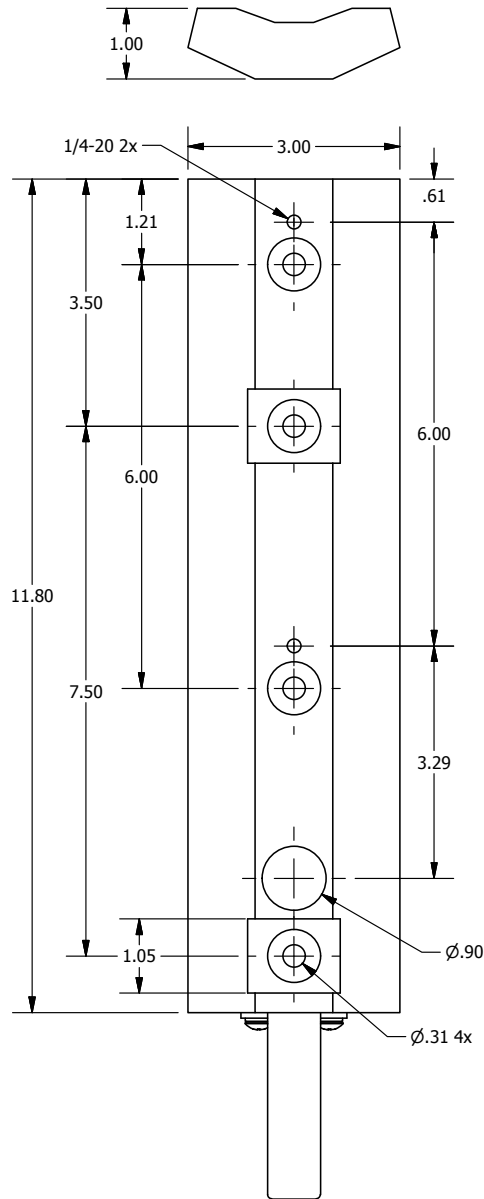


NPA4X2-X - Adapter for mounting two 9X12 Navigators on a 4" pole



This adapter is designed to offset two Navigators on a 4" diameter pole so that two 9" x 12" signs can be mounted without conflict. One adapter is needed behind each Navigator. The adapters can either be strapped or bolted to the pole. For bolting, holes are provided to match 6" spacing of most push button signs or spacing for Pelco 5" x 7" frames if these types of frames were previously mounted. Adapter is fully compatible with EZComm Navigators.

The adapter is made of powder coated aluminum. It is available in three colors to match the standard colors of the Navigator. To specify a color, replace the "X" in the part number with:

- "B" for Black
- "G" for Green
- "Y" for Yellow

