

BDSP-014 – Bulldog III Series Vandal Resistant ADA Compliant Push Button for TS1 Cabinets with Relay Isolators

This button is a highly vandal resistant button with essentially no moving parts. It is pressure activated, but can withstand an impact from a baseball bat or hammer. When the switch activates, you hear a beep and the LED will flash. When the button is released you will hear a second beep. BDSP-014 meets the relay driving requirements of older electromechanical relay based PED isolators found in some TS1 Cabinets.

Body Material: Aluminum, Powder Coated

Button material: 316 Stainless Steel

Piezo Driven Solid State Switch:

Operating Force: 3.0 lbs. Maximum
 Operating Temperature: -30°F to +165°F (-34°C to +74°C)
 Operating Voltage: 12-36 VDC, 9-25 VAC RMS (18 VDC Typ.)
 MTBF: 8,800,000 hours Typ.
 Switch Operating Life: Greater than 300 million operations
 "Off" Current: 15µA Typ.
 "On" Resistance: 5Ω Typ.
 Maximum "On" Current: 350 mA (over-current protected) Typ.
 Maximum "On" Time: 11 sec. Typ.
 Debounce Time: 85 ms Typ.

LED Operation: Approx 0.025 sec. LED flash each time button is pressed.

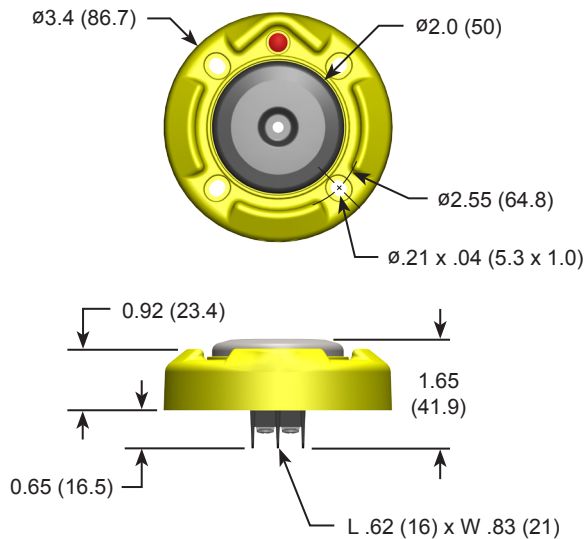
LED Specifications:
 Luminous Intensity: 0.3 Lux @ 1 meter Minimum (Red)
 Viewing Angle: 155° Typ.

Beeper:
 Volume: 68 dB @ 1 meter Typ.
 Beep on Press: 2.6 kHz
 Beep on Release: 2.3 kHz
 Beep Length: 50 ms Typ.

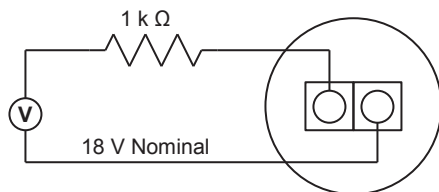
Terminal screws include washers (clamping plates) intended for bare wire. Crimp Terminals are not recommended.

Warranty: 5 Years, free from manufacturers defects

See page 2 for product ordering information



Suggested Test Circuit (Momentary Mode Only)



BDSP-014-Y model shown.
 Dimensions are in inches (millimeters).

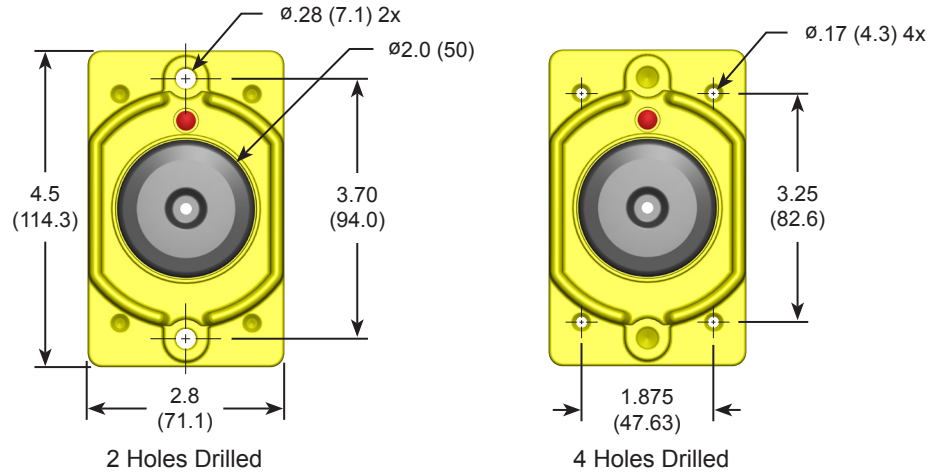
Design Compliance

Test Type	Compliance
Activation Force	MUTCD 2009 – 4E
Temperature and Humidity	NEMA TS 2
Transient Voltage Protection	NEMA TS 2
Transient Suppression	IEC 61000-4-4, IEC 61000-4-5
Lightning and Power Protection	GR-1089-CORE, 6000V-400A 25 reps, 60VAC-15 minutes
Electronic Noise	FCC Title 47, Part 15, Class A
Mechanical Shock and Vibration	NEMA TS 2
Ingress of Water	NEMA 250 – 6P, Rain, Snow, etc.
Ingress of Water	NEMA 250 – 6P, Submersion
Salt Spray and Corrosion	NEMA 250 – 6P
Ingress of Foreign Objects	NEMA 250 – 6P
Electrical Reliability	NEMA TS 4

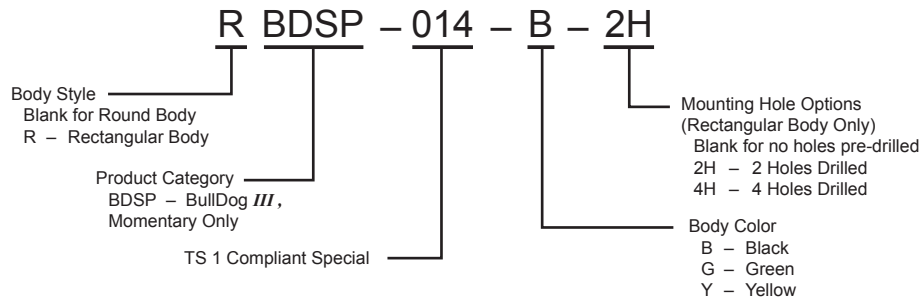
Notes:

- 1) Applicable sections only of referenced standards.
- 2) All specifications subject to change without notice.

**Mounting Hole Options
(Rectangular Body Only)**



Product Ordering Information



Distributed by:



Head Office

179 Bartley Dr. Unit B
Toronto, ON M4A 1E6

Phone 416 750-4646
Toll Free 877 750-4646
Fax 416 750-4649

Quebec Office

8008 Rue Jarry
Anjou, Quebec H1J 1H5

Phone 514 252-4443
Toll Free 866 552-9997
Fax 514 252-6915

www.tacel.ca
info@tacel.ca
ventes@tacel.ca