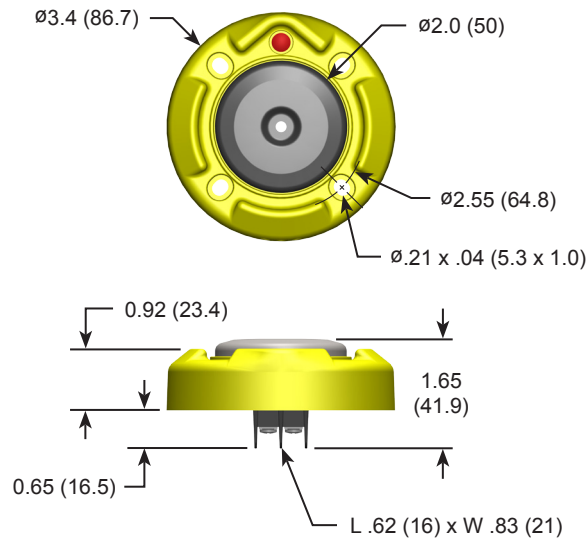
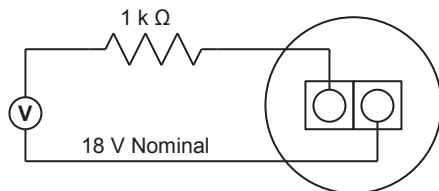


BDL3 – Bulldog III Series Vandal Resistant ADA Push Button



Suggested Test Circuit
(Momentary Mode Only)



BDL3-Y model shown.
Dimensions are in inches (millimeters).

This button is a highly vandal resistant button with essentially no moving parts. It is pressure activated, but can withstand an impact from a baseball bat or hammer. When the switch activates, you hear a beep and the LED either flashes (Momentary Mode) or lights and stays on until the walk cycle (Latching Mode).

Body Material: Aluminum, Powder Coated

Button Material:

Standard: 316 Stainless Steel
Arrow Button: Anodized 6061 Aluminum, Nickel Plated
Black Powder Coat on area surrounding arrow

Piezo Driven Solid State Switch:

Operating Force: 3.0 lbs. Maximum
Operating Temperature: -30°F to 165°F (-34°C to 74°C)
Operating Voltage: 12-36 VDC, 9-25 VAC RMA (18 VDC Typ.)
MTBF: 8,800,000 hours Typ.
Switch Operating Life: Greater than 300 million operations.
"Off" Current: 15µA Typ.
"On" Resistance: 40Ω Typ. (Momentary)
Maximum "On" Current: 30 mA (over-current protection) Typ.
Maximum "On" Time: 11 sec. Typ.
Debounce Time: 85 ms. Typ.

LED Operating Modes:

Momentary: Approx 0.025 sec. LED flash each time button is pressed.
Latching: LED activates only during non-walk phases and stays on until the beginning of the walk phase.

LED Specifications:

Luminous Intensity: 0.3 Lux @ 1 meter Minimum (Red)
Viewing Angle: 155° Typical

Beeper:

Volume: 68dB @ 1 meter Typ.
Beep on Press: 2.6kHz
Beep on Release: 2.3kHz
Beep Length: 50ms Typ.

Terminal screws include washers (clamping plates) intended for bare wire. Crimp Terminals are not recommended.

Warranty: 5 Years, free from manufacturers defects

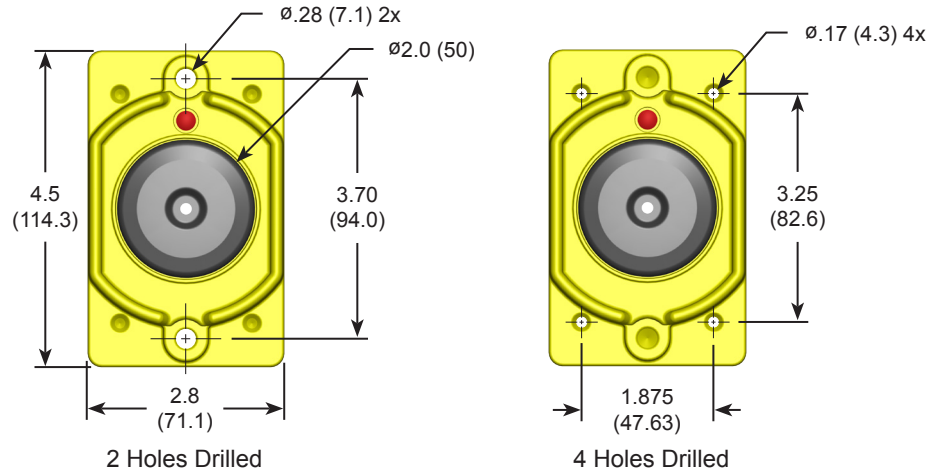
See page 2 for additional design compliance and accessory information.

Design Compliance

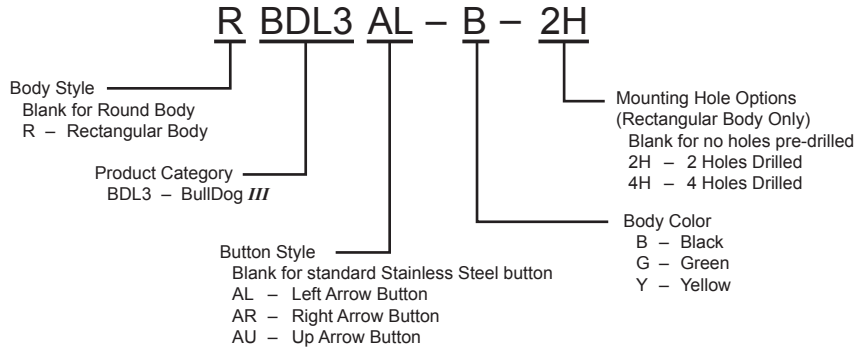
| Test Type | Compliance |
|--------------------------------|--|
| Activation Force | MUTCD 2009 - 4E |
| Temperature and Humidity | NEMA TS 2 |
| Transient Voltage Protection | NEMA TS 2 |
| Transient Suppression | IEC 61000-4-4, IEC 61000-4-5 |
| Lightning and Power Protection | GR-1089-CORE, Extended to 6000V-400A, 25 reps, 120VAC-15 mins. |
| Electronic Noise | FCC Title 47, Part 15, Class A |
| Mechanical Shock and Vibration | NEMA TS 2 |
| Ingress of Water | NEMA 250 - 6P, Rain, Snow, etc... |
| Ingress of Water | NEMA 250 - 6P, Submersion |
| Salt Spray and Corrosion | NEMA 250 - 6P |
| Ingress of Foreign Objects | NEMA 250 - 6P |
| Electrical Reliability | NEMA TS 4 |

Note: Applicable sections only of reference standards.
All specifications are subject to change without notice.

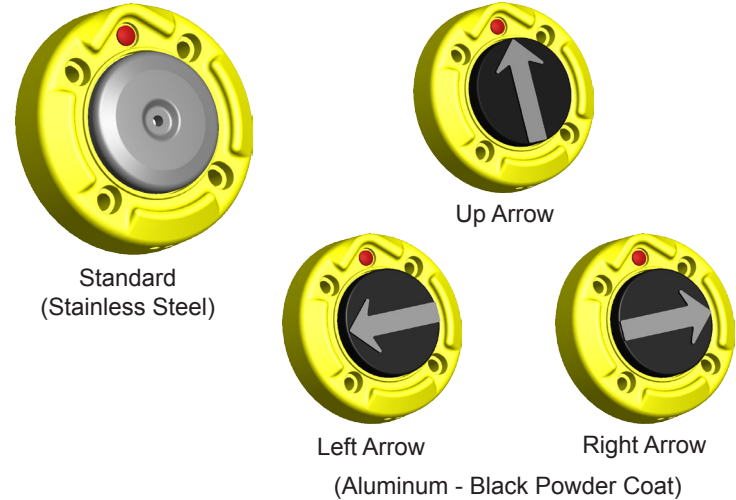
**Mounting Hole Options
(Rectangular Body Only)**



Product Ordering Information



Button Style



Distributed by:



Head Office

179 Bartley Dr. Unit B
Toronto, ON M4A 1E6

Phone 416 750-4646
Toll Free 877 750-4646
Fax 416 750-4649

Quebec Office

8008 Rue Jarry
Anjou, Quebec H1J 1H5

Phone 514 252-4443
Toll Free 866 552-9997
Fax 514 252-6915

www.tacel.ca
info@tacel.ca
ventes@tacel.ca