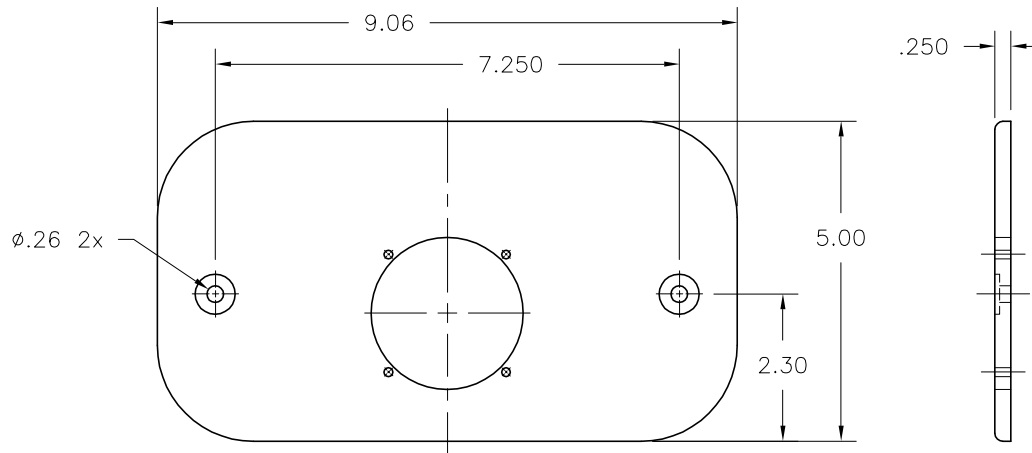


SPECIFICATIONS

The PBAP9X12 is an adapter plate designed to hold a push button and bolt to a large 9 x 12 push button frame. Should a push button ever need to be replaced, the old button can easily be removed and a new one installed without having to replace the plate as is often the case with other manufacturers products. It can be ordered in the standard colors: Black, Green or Yellow.

The mount comes powder coated. To designate color, replace "X" in part number with:

- "B" for Black
- "G" for Green
- "Y" for Yellow



**Head Office**

179 Bartley Dr. Unit B  
Toronto, ON M4A 1E6  
Phone 416 750-4646  
Toll Free 877 750-4646  
Fax 416 750-4649

www.tacel.ca info@tacel.ca

INFORMATION ON THIS DOCUMENT IS PROPRIETARY TO POLARA AND SHALL NOT BE USED, COPIED, REPRODUCED OR DISCLOSED IN WHOLE OR IN PART WITHOUT WRITTEN CONSENT OF POLARA.

09-13-01	A	21776	BB							
Revised - 09/13/01										
REV. DATE	LTR	E.C.O. NO.	BY	CKR	ENG	DSN	MFG	QA	FNL	

<b>POLARA ENGINEERING INC.</b>				<b>4115 W. ARTESIA AVE. FULLERTON, CA. 92833</b>	
TOLERANCES: .XXX ±.005 .XX ±.02 (EXCEPT AS NOTED)					SCALE 1:3
DRAWN BY BB	CKR. CLM	ENG. MGR. LB	MFG. MGR. FB	SHEET 1 OF 1	
DATE 08-09-01	DSN. ENG. WR	Q.A. APP. RVC	FINAL APP. JMc	USE	
TITLE 9x12 PUSH BUTTON ADAPTER PLATE				DWG. NO. PBAP9X12-X	