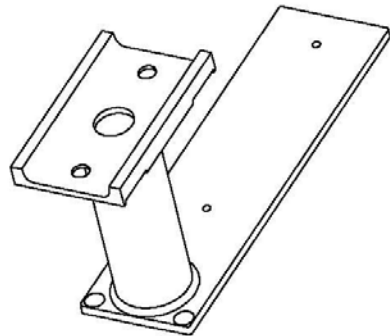


## PBFE – Push Button Frame Extender

The Push Button Frame Extender (PBFE) is intended to mount a Polara Push Button Frame (PBF) 6" or 12" away from the traffic pole, in order to position the Push Button closer to the start of the crosswalk. Push Button wires are routed inside of the tube to protect them against vandalism. Extender can be bolted or banded to the traffic pole.

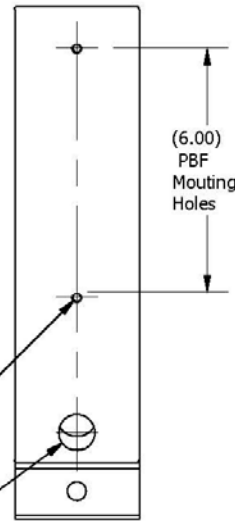
Body Material: Galvanized Steel



ORTHO VIEW  
("-06" Version Shown)

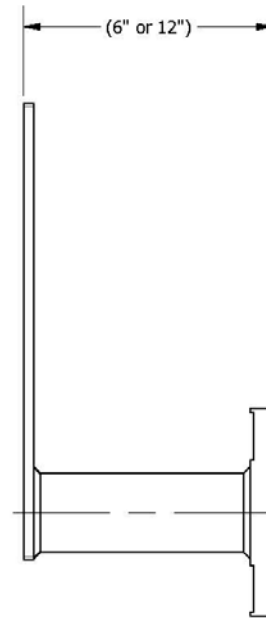
(2X 1/4-20 UNC - 2B)

(Ø.875) THRU



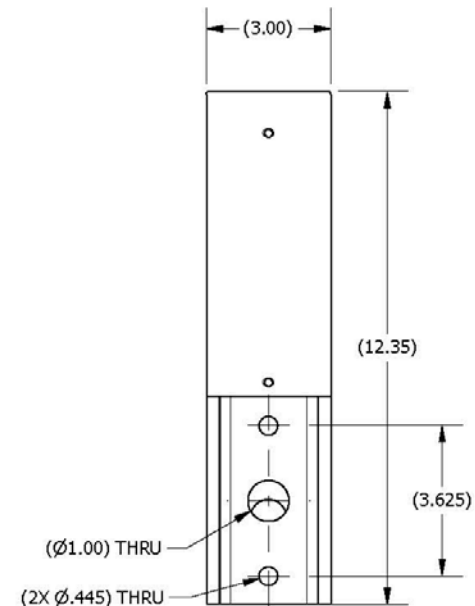
FRONT VIEW

(6.00)  
PBF  
Mounting  
Holes



SIDE VIEW  
("-06" Version Shown)

(6" or 12")



REAR VIEW

(Ø1.00) THRU

(2X Ø.445) THRU

Dimensions are in inches.

**Notes:**

- 1) Applicable sections only of referenced standards.
- 2) All specifications subject to change without notice.

Distributed by:

www.tacel.ca  
info@tacel.ca



**Head Office**

179 Bartley Dr. Unit B  
Toronto, ON M4A 1E6

Phone 416 750-4646  
Toll Free 877 750-4646  
Fax 416 750-4649

### Product Ordering Information

PBFE-06	6" Extension
PBFE-12	12" Extension